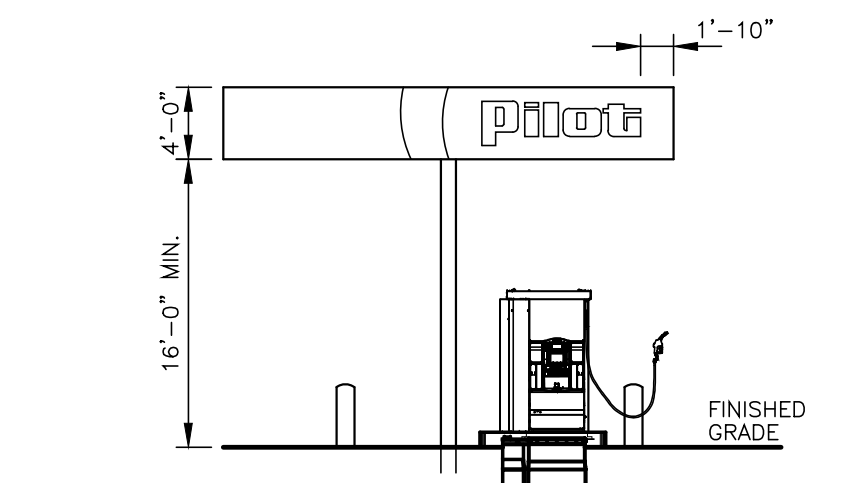
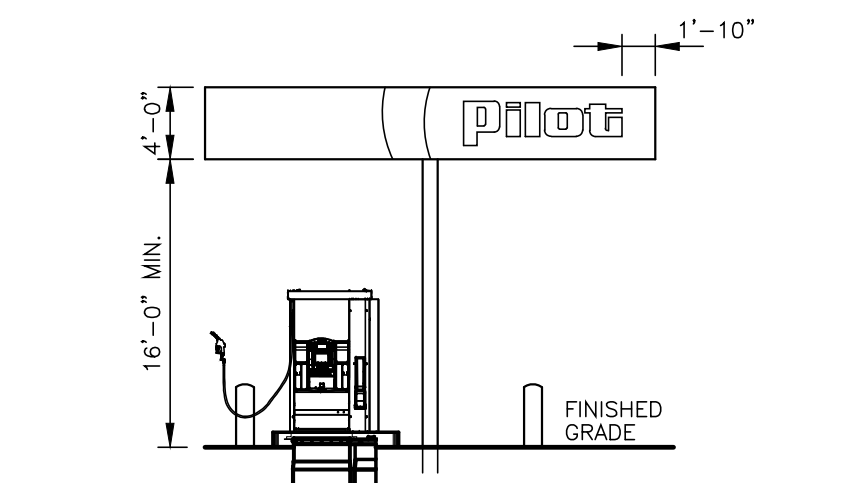
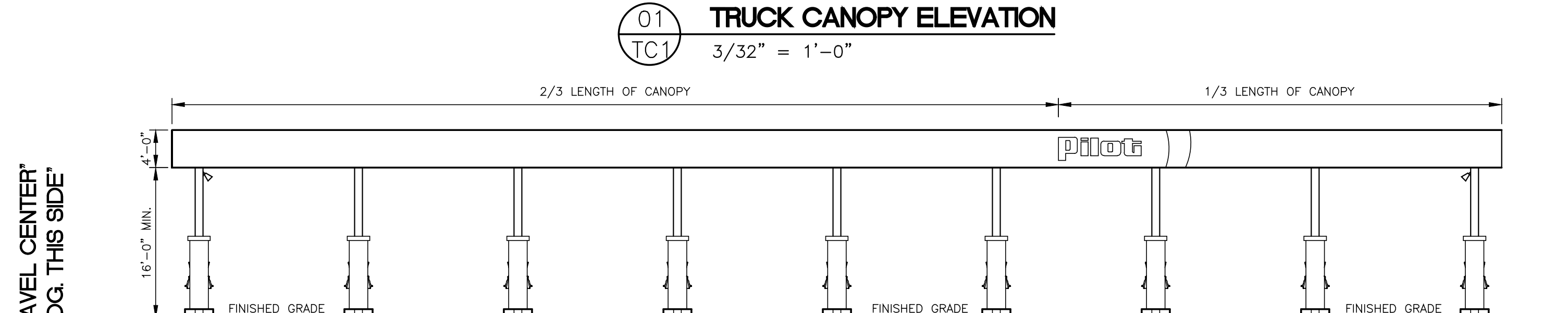
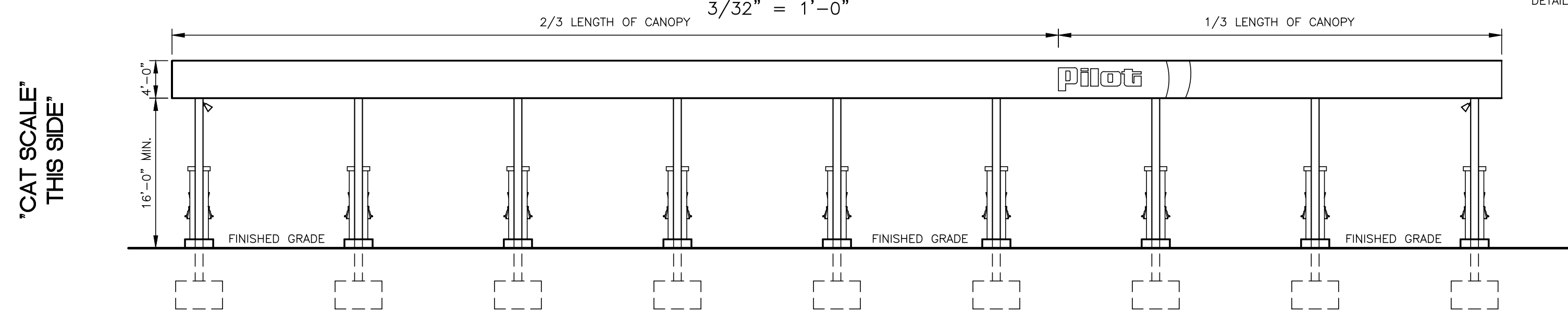
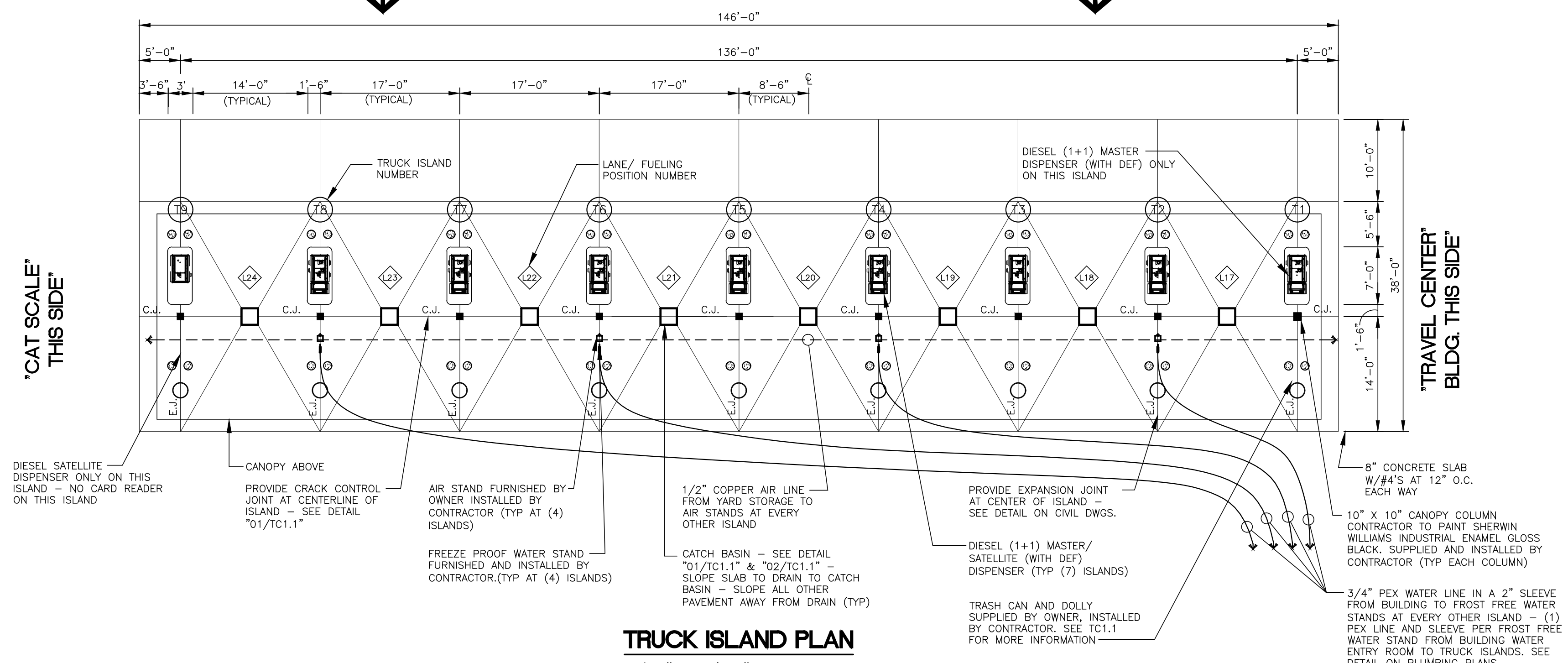


01 TC1

TRUCK CANOPY REFLECTED CEILING PLAN

3/32" = 1'-0"

DIRECTION OF TRAFFIC FLOW



C.T. MALE ASSOCIATES
 Engineering, Surveying, Architecture, Landscape Architecture & Geology, D.P.C.
 50 CENTURY HILL DRIVE, LATHAM, NY 518.786.7400
 COBLESKILL, NY • GLENS FALLS, NY • FOUJHREUSE, NY
 JOHNSTOWN, NY • RED HOOK, NY • STRAUSSE, NY
 www.ctmale.com
 CTM PRO. NO. 21.1029 CTM DWG. NO. 21-

PILOT COMPANY
 DESIGN DEPARTMENT
 5508 LONAS ROAD
 KNOXVILLE, TENNESSEE 37909
 (865) 588-7488

TRUCK CANOPY PLAN AND ELEVATIONS

PILOT TRAVEL CENTER
 164 RIVERSIDE DRIVE
 TOWN OF GLEN, NEW YORK

DATE: 03/31/21	DRAWN BY: OKS	PROJECT: 1317-01
DATE: 4/21/21	REV: 1	REVISION DESCRIPTION: REVISED SITE LAYOUT & GRADING
		INT. OKS

© COPYRIGHT 2021 (UNPUBLISHED) PILOT COMPANY
 THIS DRAWING IS CONFIDENTIAL. NO USE OR REPRODUCTION OF THIS DRAWING IS PERMITTED EXCEPT AS AUTHORIZED BY PILOT COMPANY.

SHEET: **TC1**

X