



COMMUNITY SOLAR PROJECT DEVELOPMENT

Town of Glen Presentation
Mohawk View & Van Epps Solar Farms

Eden Renewables is bringing low cost,
natural power to New York State.
www.edenrenewables.com



ABOUT US



EDEN RENEWABLES

HARRY LOPES CHIEF EXECUTIVE OFFICER

With a background in farming and finance, Harry has been developing renewable energy projects in wind and solar since 2011. During his time off, he likes to explore the surrounding nature trails with his electric bike.

GIOVANNI MARUCA CHIEF DEVELOPMENT OFFICER

Giovanni has over seven years of experience managing solar PV developments, including one on his farm in Castleton-on-Hudson. Recently, he has made the Capital Region his home with his family and a flock of wild peacocks.

GILLIAN BLACK PROJECT DEVELOPMENT MANAGER

Gillian is a NABCEP Certified PV Installation and Technical Sales Professional having designed and/or installed over 300 residential, commercial and municipal solar PV systems all over the Northeast. He lives in Saratoga Springs with his family and two dogs and enjoys a day out in Saratoga.

JONALIZA D. MISA COMMUNITY AFFAIRS MANAGER

Jonaliza's experience in community and public affairs expands for almost a decade, previously working in the New York State Senate before entering the renewable energy industry. Currently, she lives in Gulderland and can be frequently seen at the local hot yoga studio.

ED PARKER COMMUNITY OUTREACH MANAGER

Ed has been assisting business and residential customers go solar for several years, with extensive experience in both on-site solutions and community solar. He lives in Slingerlands where he enjoys fishing, hiking and spending time with his family.

STEPHANIE PULIAFICO PROJECT ADMINISTRATOR

Stephanie has many years of experience as an administrator and project coordinator in the clean renewable energy sector. Off work hours, she spends time planning trips to Disney World with her son and volunteers as a treasurer on the youth lacrosse board in her hometown, Glenville.



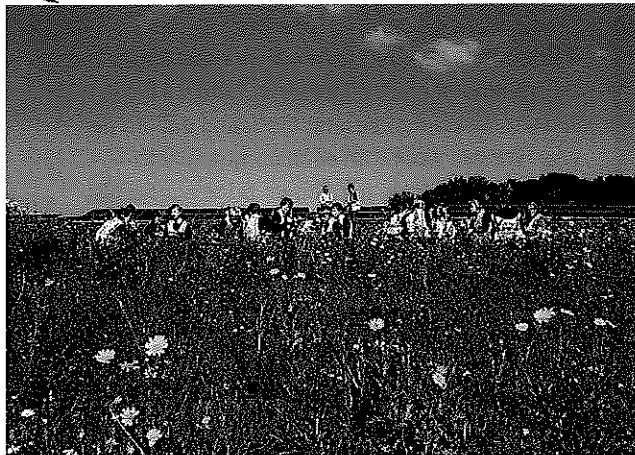
IMPROVING AIR & WATER QUALITY



The US relies mainly on coal and natural gas to generate electricity. Extracting and using these fossil fuels is expensive and is harmful to the air we breathe and water we drink. Solar power helps reduce carbon emissions while keeping our natural resources clean and healthy.



PROVIDING EDUCATIONAL OPPORTUNITIES



We organize and fund field trips to our community solar farms so that children from local schools can learn about science, technology and energy generation. Additionally, the presence of a solar farm within the local area will raise awareness of renewable energy and may spark an increased interest in science, energy and environmental issues.



PRESERVING THE RURAL WAY OF LIFE



Solar panels are installed on land leased from local farmers, providing them with an additional source of income. This helps protect farmers from the volatile nature of the agricultural industry. Our solar farms are also designed to enable sheep grazing around and between the panels, keeping the land in agricultural use. At the end of the project's life cycle, all hardware is dismantled, removed and recycled, returning the farmland back to its original form.



MAKING COMMUNITIES GREENER



Our solar farms foster a sense of local environmental stewardship, making your community a greener, more sustainable place to live and work. Subscribing to our solar farm supports your local community as well as a clean energy future, bringing positive benefits for everyone.



**EDEN
RENEWABLES**

Community Outreach

At Eden Renewables, we introduce ourselves and our projects to prospective host communities prior to permit applications through a variety of media:

DIGITAL ONLINE MARKETING

PRINT ADVERTISING

PRESS RELEASES

USPS MAILERS

PUBLIC OPEN HOUSE



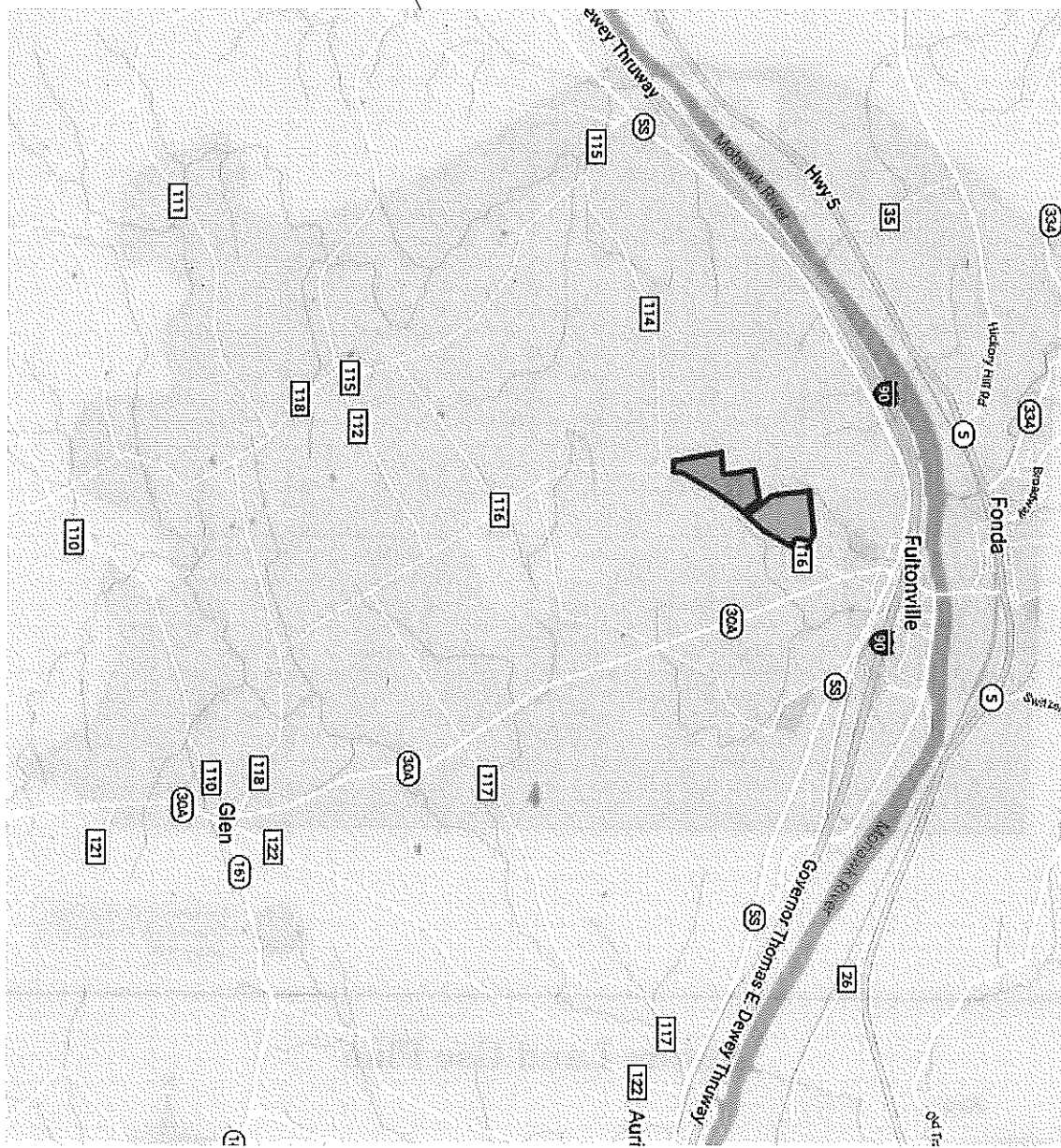
**EDEN
RENEWABLES**

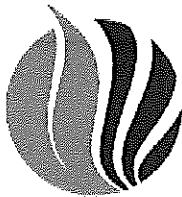
Community Solar in the Town of Glen

Eden Renewables seeks to design and build two community solar projects in the Town of Glen. Each project will use roughly 40 acres of land and will provide low cost, locally produced renewable electricity to about 1,250 homes. Both projects will connect to the Center St. substation via National Grid's 3-phase distribution line on Van Epps Rd. Project sites we have selected include:

MOHAWK VIEW SOLAR - 709 Van Epps Rd. Fultonville, NY 12072

VAN EPPS SOLAR - 677 Van Epps Rd. Fultonville, NY 12072





**EDEN
RENEWABLES**

VISUAL ANALYSIS

We will work with the Town to determine where best to assess the site for visual impacts. We then float balloons throughout the solar farm and take photos so we can generate a screening plan for tree planting.

*Site plan review
space ux permit*

*New York
303
Crawford
New York*



*Yellow & black balloons
performed in area
see map*

EDEN RENEWABLES
 Green Cells
 1518 932-8998
 eden@edensolar.com

GREEN CELLS
 Green Cells USA Inc.
 112 South Town Street
 23844 Onalaska, N.C. US
 www.green-cells.com

JOSEPH ANTONIO S.P.A.
 5001 SHAW RD.
 GREENSBORO, NC 27407
 JANTON@GMAIL.COM
 813.338.8173

MOHAWK VIEW SOLAR
 7209 Via Torre Dr
 Fort Mill, SC 29505
 LAT: 34.238837
 LON: -71.374087
 MOHAWKVIEW@GMAIL.COM
 803.547.1400

NO. 1	NO. 2	NO. 3	NO. 4

INTERCONNECTION LAYOUT

PROJECT NO.	DATE

ES-400

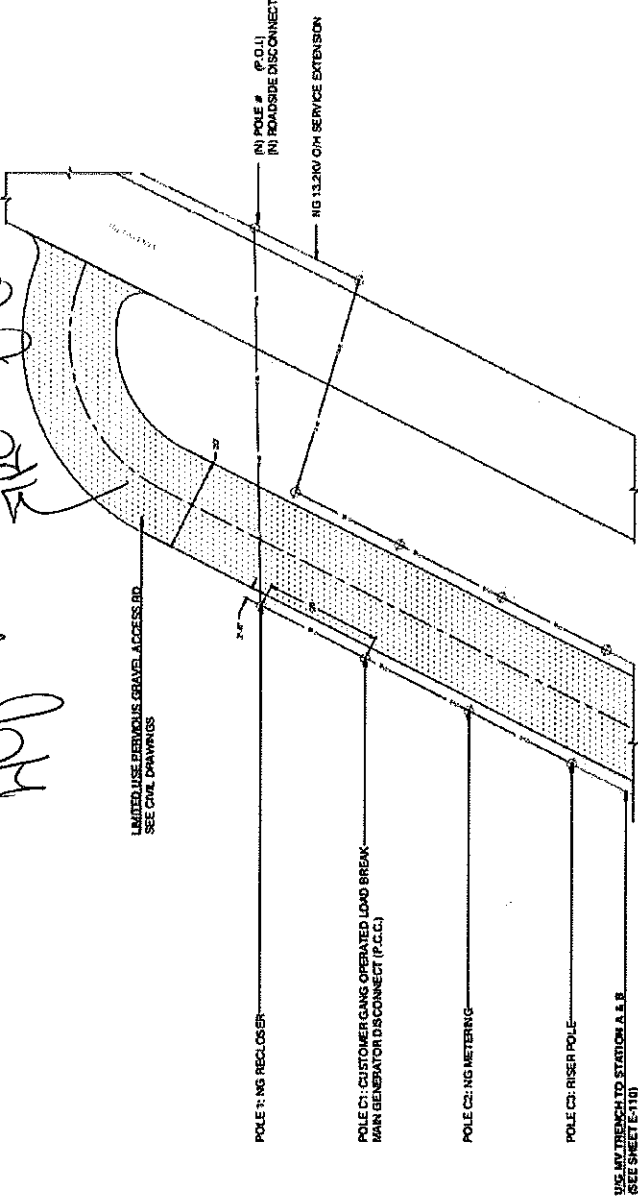
GENERAL NOTES

- REFER TO THE LATEST REVISIONS OF THE PERMITS AND LOCAL ORDINANCES FOR THE MOST CURRENT REGULATIONS.
- ALL WORK SHALL BE IN ACCORDANCE WITH THE NATIONAL ELECTRICAL CODE (NEC) AND THE NATIONAL FIRE ALARM AND SIGNALING CODE (NFPA 72).
- ALL WORK SHALL BE IN ACCORDANCE WITH THE NATIONAL ELECTRICAL CODE (NEC) AND THE NATIONAL FIRE ALARM AND SIGNALING CODE (NFPA 72).
- ALL WORK SHALL BE IN ACCORDANCE WITH THE NATIONAL ELECTRICAL CODE (NEC) AND THE NATIONAL FIRE ALARM AND SIGNALING CODE (NFPA 72).
- ALL WORK SHALL BE IN ACCORDANCE WITH THE NATIONAL ELECTRICAL CODE (NEC) AND THE NATIONAL FIRE ALARM AND SIGNALING CODE (NFPA 72).

LEGEND

(E)	EXTERNAL EQUIPMENT
(M)	METER EQUIPMENT
(C)	CUSTOMER EQUIPMENT
(S)	SERVICE EQUIPMENT
(R)	REARER EQUIPMENT
(D)	DISCONNECT
(B)	BREAKER
(F)	FUSE
(G)	GROUNDING
(H)	HOT
(N)	NEUTRAL
(G)	GROUND

Handwritten: Road of Company
 1047-1048



NOTE: PARCEL DATA FOR REFERENCE ONLY. REFER TO ORIGINAL WORK BY OTHERS.

1 POLE LAYOUT PLAN

COMPANIES, SERVICES, AND MATERIALS ARE SUBJECT TO CHANGE WITHOUT NOTICE. THE INFORMATION IS FOR REFERENCE ONLY. THE INFORMATION IS FOR REFERENCE ONLY. THE INFORMATION IS FOR REFERENCE ONLY.

EDEN RENEWABLES
 Eden Renewables
 1510 1932 6990
 glen@edenrenewables.com

GREEN CELLS
 GreenCells USA Inc.
 11250m Tyson Street,
 28204 Charlotte, NC 28218
 www.greencells.com

JOSEPH NOVAK, P.E., S.P.
 ELECTRICAL ENGINEER
 117 W. WOOD STREET
 JLVENWANG@EE.ORG
 910.333.4474

VAN EPPS SOLAR
 677 Van Epps Rd
 P.O. Box 1000
 LAT: 35.318977
 LON: -74.373977
 NO solar number, DER F&M
 NO utility number

NO.	NO.	DESCRIPTION	DATE

INTERCONNECTION LAYOUT

DATE: 2012	
PROJECT NO:	
PROJECT SITE:	
PROJECT DATE:	
PROJECT NO.:	

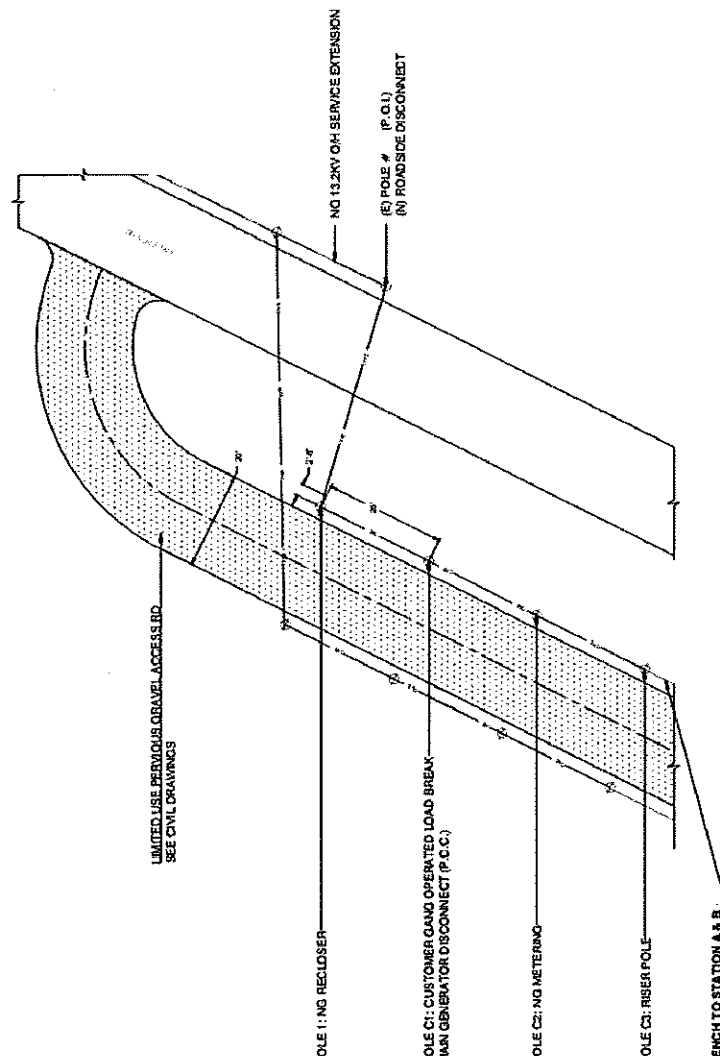
ES-400

GENERAL NOTES:

1. REFER TO ALL DRAWINGS FOR DETAILS.
2. ALL WORK SHALL BE IN ACCORDANCE WITH ALL APPLICABLE STATE AND FEDERAL CODES.
3. ALL UTILITIES SHALL BE LOCATED AND DEEPLY MARKED PRIOR TO CONSTRUCTION.
4. IF ACCESS POINTS SHALL BE REQUIRED TO BE PROVIDED, THEY SHALL BE PROVIDED IN ACCORDANCE WITH ALL APPLICABLE STATE AND FEDERAL CODES.
5. ALL WORK SHALL BE IN ACCORDANCE WITH ALL APPLICABLE STATE AND FEDERAL CODES.
6. ALL WORK SHALL BE IN ACCORDANCE WITH ALL APPLICABLE STATE AND FEDERAL CODES.

LEGEND:

(E) EXISTING EQUIPMENT	(N) NEW EQUIPMENT
(U) UTILITIES	(S) 12.47KV OR SERVICE EXTENSION
(M) 12.47KV OR SERVICE EXTENSION	(P) POLE
(R) ROADSIDE DISCONNECT	(C) CUSTOMER GANG OPERATED LOAD BREAK
(G) GENERATOR DISCONNECT (P.C.C.)	(M) METERING
(R) RISER POLE	(A) ACCESS



NOTE: PARCEL DATA FOR REFERENCE ONLY. REFER TO ORIGINAL WORK BY OTHERS.

1 POLE LAYOUT PLAN

CONSTRUCTION OF THIS DRAWING IS THE PROPERTY OF EDEN RENEWABLES. NO PART OF THIS DRAWING IS TO BE REPRODUCED OR TRANSMITTED IN ANY FORM OR BY ANY MEANS, ELECTRONIC OR MECHANICAL, WITHOUT PERMISSION IN WRITING FROM EDEN RENEWABLES.

